

Hotel Northbridge

Summary:

- Spacious bedroom and bathroom, located on the ground floor.
- Lift access to all floors.
- Level access to restaurant.

Name: Hotel Northbridge

Location: 210 Lake Street Northbridge

Rating: 4 star.

Telephone: 08 9328 5254

Web: <http://www.hotelnorthbridge.com.au>

Accessible parking bay onsite: Yes

Drop off available: No

Closest accessible public transport:

- No accessible public transport operates within the vicinity of this hotel.

Accessible public toilet onsite: Yes

Accessible parking: Standard bays only are provided in the basement car park, accessed off Amy Street.

Bays are however wide, with one bay 3650mm wide with an overhead clearance in excess of 3000mm. Overhead clearance on entry to the car park is 2100mm.

Pick up / set down bay: Free, standard street side, two hour parking is provided outside the hotel. There is a large kerb ramp providing access to the front of the hotel.

External access: Access into the hotel is off a level footpath.

Main entrance: Level access through wide, glazed, automatic sliding doors.

Foyer: Tiled floor, level throughout. Ample circulation space for all wheelchair sizes.

Lounge seating is provided in the foyer. The seats are soft with a seat height of 460mm. No armrests.

Reception: Counter is at a high standing height.

Signage: All signage is gold on blue, in a serif font.

Lift: A single lift provides access to all floors.

The lift is 1210mm wide and 1630mm deep, with a clear open door width of 900mm. Direction of travel information is displayed both externally and internally. There is no audible announcement of the floor level either inside or outside the lift. All buttons are lower than 1220mm high. Controls have good colour contrast and illuminate when pressed.

Accessible rooms: There is one accessible room (Room 102) located on the ground floor level (lift level 1). This is a non-smoking room.

Emergency: There is an audible emergency alarm in the bedroom. Emergency egress maps are located adjacent the room doors at a high standing height.

Corridors to rooms: Corridors are wide, accommodating all wheelchair sizes.

Accessible rooms:

Door: Door width is 800mm. The entrance swing door is a medium weight to open and fast to close, with a lever handle. Access into the room is suitable for medium size wheelchairs due to restricted space around the entry door and a narrow gap between the internal wall and a fixed desk (840mm) off a 1000mm wide corridor.

Access into the room is via a key card.

Tea and coffee: The facilities are stored at the end of the bed in a fixed wall cabinet. There is 1180mm space between the bed end and the cupboard, allowing a side approach only.

Bedroom: A Queen bed in the room is on castors, it is 580mm high and there is 100mm available space under the bed to accommodate a mobile hoist. The bed is firm. There is 1380mm space on one side of the bed.



Desk: A desk is provided in the room, it is 740mm high with knee clearance of 700mm. Broadband is provided.

Bathroom:

Door: 820mm wide swing door that is light to open and slow to close. Has a circular door knob with small snib.

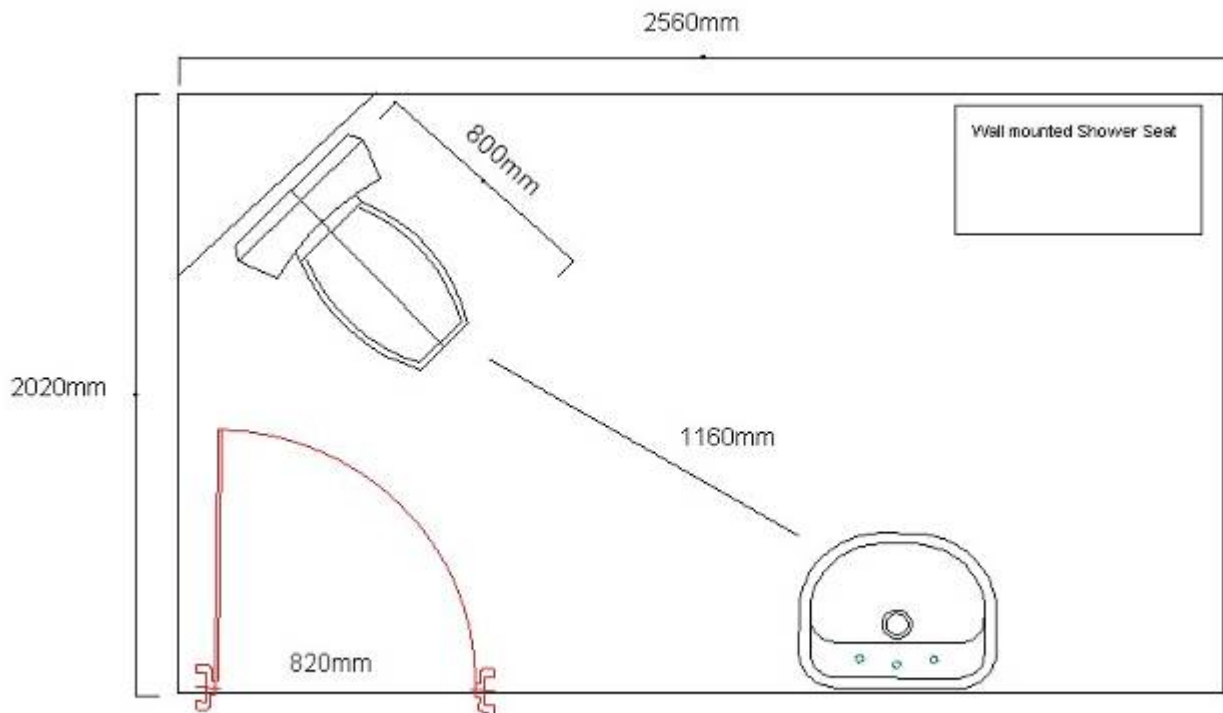
Pan height: 480mm

Basin height: 860mm

Shower: Hand held shower and wall mounted fold down seat.

Lights: Low light switch.





Room facilities:

- Remote controlled TV
- Volume control telephone
- Lowered light switches
- Remote controlled air conditioning

Guest Laundry: Located in the basement. Access into the laundry would not be suitable for wheelchair or wheeled mobility aid users as there is a ramp (gradient of approximately 1:4) leading directly up to the door, with restricted space around the door. Swipe card entry is required, activated whilst on the ramp before entering the laundry.

The laundry has two top loading washing machines and two front loading driers.

210 Restaurant:

The 210 Restaurant is for the buffet breakfast and is open through to, and including dinner. Bookings for dinner, particularly Friday and Saturday nights, are recommended. It is located on the ground floor and is accessed via a corridor from the hotel foyer. Entrance to the corridor is through a 920mm wide swing door, with a 15mm lip at the door. The door has a D handle. There is space throughout the restaurant to accommodate wheelchairs of all sizes. There is no public accessible toilet in the restaurant.

The restaurant has a cold buffet breakfast set up in the mornings, at a sitting height, and hot foods are cooked to order. Tables are moveable and have a central pedestal. Chairs have armrests and a seat height of 470mm.

Table menus are in good colour contrast with an easy to read font.

Function Rooms

The function room is located on the ground floor, with 720mm wide double doors.

Toilet:

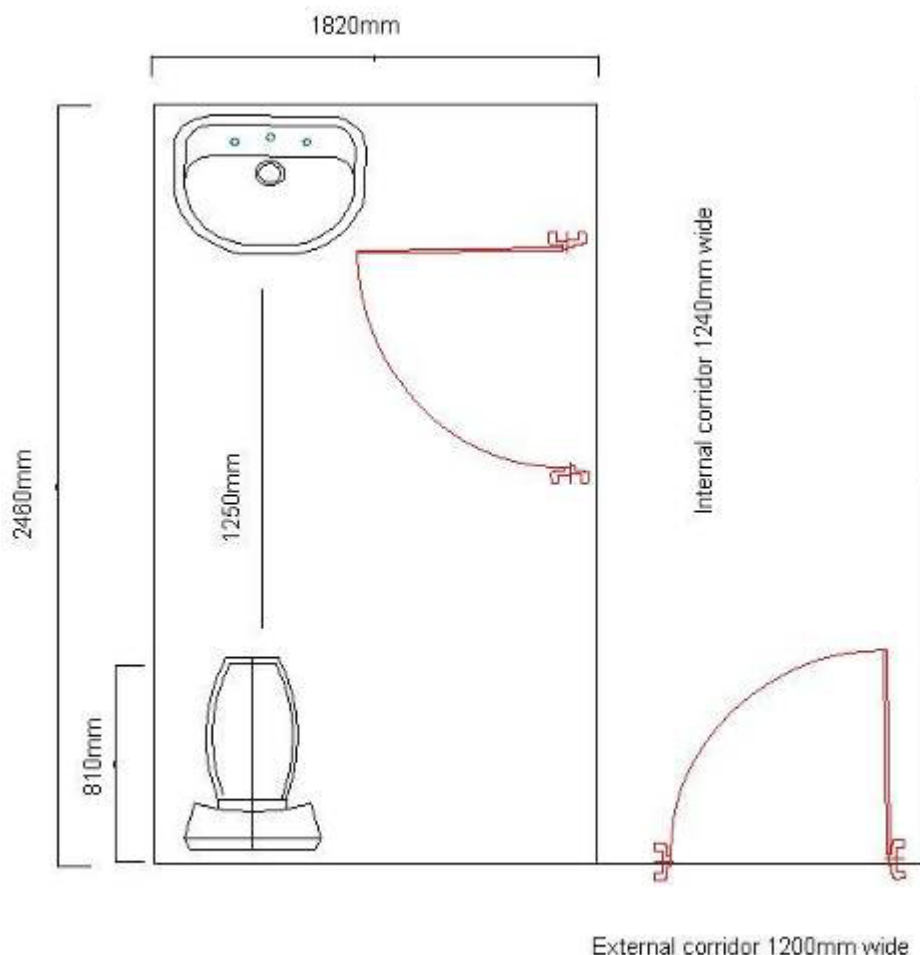
External access: Access to the public toilets from the function room is via a 1m wide ramp. The lower section of the ramp is 3m long with a gradient of 1:13. The upper section of the ramp is 1500mm long with a gradient of 1:10. The change in direction is 1000mm wide and would restrict access to small to medium size wheelchairs.

Door: 820mm wide swing door that is a medium weight to open and fast to close. Has a D style door handle with small snib.

Pan height: 480mm

Basin height: 830mm

Lights: Lights are on at all times.



Information prepared for the City of Perth, January 2007.

Care has been taken to ensure the accuracy of this information however no guarantee is given that the facility is fully accessible. Please advise the City of Perth of any access changes since publication.

This Report Template has been designed for use in the 'You're Welcome; WA Access Initiative' project only. It is not intended for any other purpose.

© Disability Services Commission 2005