

Hyatt Regency Perth

Summary:

- Eight designated accessible rooms.
- Two accessible car parking bays.

Name: Hyatt Regency Perth.

Location: 99 Adelaide Terrace, Perth.

Rating: 5 star.

Telephone: 08 9225 1234

Web: <http://www.perthhyatt.com>

Accessible parking bay onsite: Yes.

Drop off available: Yes.

Closest accessible public transport:

- Red CAT stop 5, Hay Street

Accessible public toilet onsite: Yes

Accessible parking:

Vehicular access is off Adelaide Terrace. There are two bays on Car Park level 2; the bays are adjacent to the lift lobby door, utilized by guests and patrons of the hotel restaurants. Pre booked valet parking is also available. Other accessible bays are available within the Wilson's Hyatt Centre Car Parking attached to the hotel. Lift access is available from all accessible bays.

Overhead clearance at the vehicular entrance point is 2100mm with 2270mm overhead clearance at the bays.

The bays are 2320mm wide and one has additional transfer space at the side. There is clear directional signage to the lift lobby.

The door to the lift lobby is 850mm wide with a lever handle. The door is light to operate and fast to close and there is sufficient space for wheelchairs of all sizes to move through into the lift lobby.



Pick up / set down bay: There is a wide covered drop off point on the driveway at the hotel front entrance off Adelaide Terrace.

External access: Pedestrian access is available from the vehicle drop off area only. There is no accessible pedestrian path off Adelaide Terrace to the hotel entrance. Access from the drop off to the main entrance is via steps or a narrow kerb ramp (gradient 1:6) and a ramp (gradient 1:12). There are similar ramps on either side of the centrally located steps.

There is level access from Adelaide Terrace and Plain Street to Joe's Oriental Diner, La Strada Café and the Plain Street Bar. Internal steps lead to the hotel main foyer.

Main entrance: Level access through wide, glazed, automatic sliding doors.

Foyer: The spacious foyer is on two levels. The reception desk is on the lower tiled level and the Conservatory and Cafe is up two steps. A ramp is permanently placed over the two sets of side steps. The ramp is 1500mm long with a gradient of 1:5. There is ample circulation within both sections of the foyer for all wheelchair sizes.

A range of seating is provided on both levels.

Reception: Located on the left of the entrance with the counter at standing height.

Telephone: Public telephone is located adjacent to the reception. The desk is wide and 750mm high. The telephone is coin operated with push buttons and no adjustable volume control. Highest operable control is 1100mm. A separate telephone at standing height has volume control

Business Centre: Located adjacent to and behind the reception. Through a 965mm wide, short corridor and a 780mm wide door with a lever handle. Computers are provided on wide desks 720mm high with 680mm knee access. Access is suitable for small to medium sized wheelchairs.

Signage: There is a variety of signage throughout the hotel varying from large black printing on a white background to black lettering on gold background. Level access around the public areas associated with the hotel can be circuitous and guests may need to ask directions.

Information: Printed information produced by the hotel is in good colour contrast and an easy to read font.

Accessible public toilet:

1. Foyer level: Female and male public toilets are on the ground floor between the main entrance and the Grand Ballroom. Both have an identical layout and are available for day guests to the conference and function rooms as well as those visiting the Café (hotel breakfast) and Conservatory.

Signage: There is no directional signage to these accessible toilets.

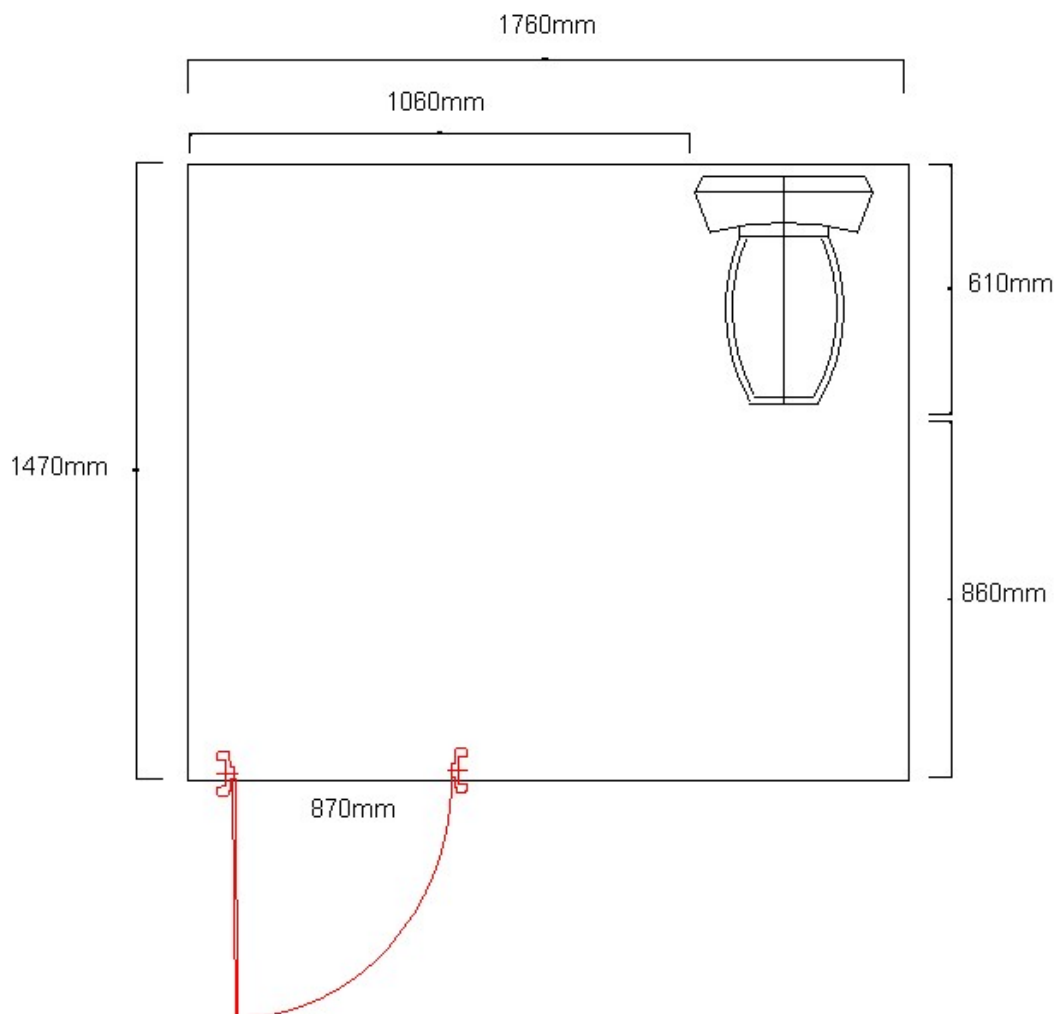
External access: A 1030mm wide airlock with two heavy 740mm wide doors. There is sufficient space for small wheelchairs only to pass through the airlock.

Toilet door: 870mm wide swing door with a D style handle.

Pan height: 430mm.

Basin height: 850mm.

Lighting: Lights are on at all times.



2. Plaza level: Female and male public accessible toilets on the right and left hand of the Plaza level, accessed from the ground floor via the main lifts. Both have an identical layout and are available for public use.

Signage: There is no directional signage to these accessible toilets.

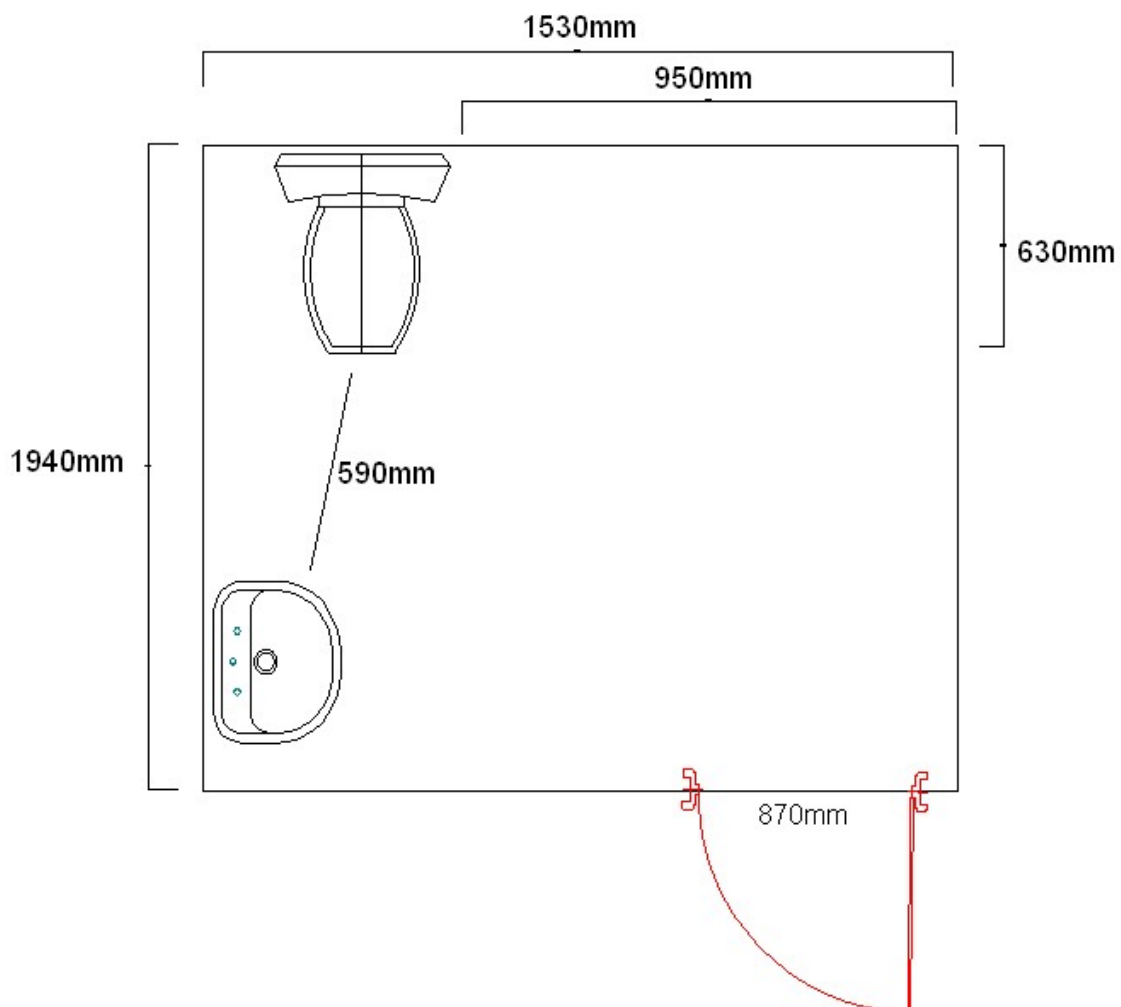
External access: Opens off a wide corridor.

Toilet door: 740mm wide swing door with a lever style handle and a small snib.

Pan height: 520mm.

Basin height: 770mm.

Lighting: The light switch is at high standing height.



Lifts:

Main lifts: A bank of four lifts provides access to all rooms and the Plaza level (enters into the Plaza Ballroom). Plaza level accesses the Plaza Ballroom, Gershwin's Restaurant, the retail area and male and female accessible public toilets. Lifts are 2000mm x 1550mm, with a clear open door width of 1100mm. Direction of travel information is displayed both externally and internally, and there is a tonal announcement outside. All buttons are within a range of 900mm - 1250mm high.

At the Plaza level, base of the escalator and outside the Plaza Ballroom, there are manual heavy double doors, each leaf 740mm wide, leading to the outside Plaza.

Car park lifts: Two lifts provide access from the foyer to the Hyatt Car Park. The lifts are located off the lobby on the right hand side, opposite the staff lift. There is no directional signage to the lifts, but the lifts are well signed.

These lifts are very spacious; with a clear open door width of 1300mm. Direction of travel information is displayed both externally and internally. All buttons are within a range of 900mm - 1300mm high.

Accessible rooms: There are eight accessible rooms located in a similar position on levels 1 – 8 and all are designated as non smoking. All are identical except that only Room 201 has level entry into the bathroom. The other seven rooms have a small lip at the bathroom door.

Emergency: There are audible alarms in all rooms. Emergency egress maps are located at sitting height. Emergency stairs are across a large central landing. The fire stairs have standard sized landing.

Corridors to rooms: Carpeted corridors are wide, accommodating all wheelchair sizes.

Accessible rooms:

Door: Door width is 830mm. The entrance swing door is heavy to open and slow to close, with a lever handle. Access out of the room is suitable for a medium to smaller wheelchairs only due to restricted space around the entry door (obstructed by the wardrobe).

There are peep holes set at sitting and standing heights in the door. Access into the room is via a key card.

Tea and coffee: Facilities are within a drawer at sitting height. Access is suitable for wheelchairs of all sizes.

Lounge: Lounge seating is located in the room, near the bed. Chairs have armrests and a seat height of 400mm.

There is a free standing desk 750mm high with 620mm knee clearance.

Bed: A split king size bed is on castors. It is 480mm high and there is 115mm available space under the bed to accommodate a mobile hoist. The bed is firm.

Bathroom:

Door: 750mm wide swing door that has no closer. Has a lever handle with a small snib. All rooms, except 201 have a small lip to prevent any water flow from the bathroom to the carpeted area.

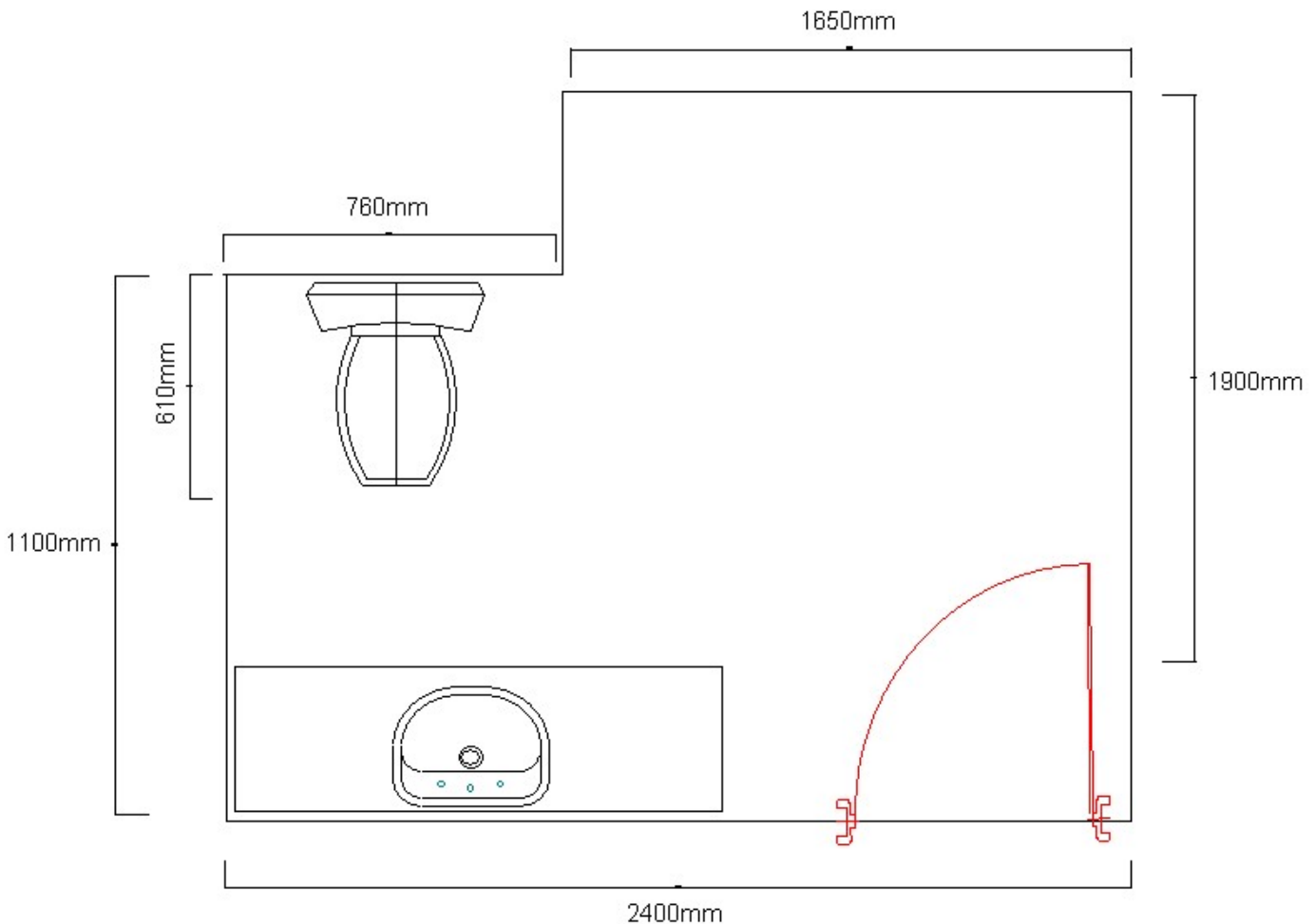
Pan height: 440mm.

Basin height: 840mm.

Shower: Hand held shower is provided and a free standing height adjustable shower chair is available on request.

Coat hook: At standing height

Hair dryer: Wall mounted at standing height



Room facilities:

- TV with remote control
- Hotel facilities information available electronically through the television
- Volume control telephone
- Wall mounted air conditioning at standing height, no remote control

The Café:

The Cafe is used for the buffet breakfast. It is located on the ground floor via the steps or ramp. The restaurant is open for breakfast, lunch and dinner. Breakfast is self serve buffet style with three counters at various heights. Staff are available to assist if required. There is circulation space within the room for a larger wheelchair. 740mm high tables are moveable and have a central pedestal. 460mm high chairs are moveable and have armrests.



Pool and Gym:

Location: The public entrance is via a set of steps. Staff can accompany people unable to access steps through a designated staff area. Level access is then available to the outdoor seating deck. There are two sets of 8 steps down to the pool with handrails on both sides and 5 steps down to the gym.

Guest Laundry: A laundry service is available.

Information prepared for the City of Perth, March 2007.

**Care has been taken to ensure the accuracy of this information however no guarantee is given that the facility is fully accessible.
Please advise the City of Perth of any access changes since publication.**

This Report Template has been designed for use in the 'You're Welcome; WA Access Initiative' project only. It is not intended for any other purpose.

© Disability Services Commission 2005