

Novotel Langley Hotel Perth

Summary:

- A well appointed unisex accessible toilet is located on the ground floor, adjacent the bar / restaurant.
- One accessible room with an adjoining room.
- Three accessible parking bays within the upper level car park.

Name: Novatel Langley Hotel Perth.

Location: 221 Adelaide Terrace, Perth.

Rating: 4.5 star.

Telephone: 08 9221 1200

Web: <http://www.novotel.com.au>

Accessible parking bay onsite: Yes.

Drop off available: Yes.

Closest accessible public transport:

- Red CAT stop 11, Hay Street

Accessible public toilet onsite: Yes

Accessible parking: Three accessible parking bays on the upper basement level car park with vehicular access off Hill Street. Accessible bays have the following features:

- 2100mm clearance at the entrance to the basement car park
- One bay is 2300mm wide with sufficient space on the driver side to transfer out of the car. It has overhead clearance of 2300mm
- The other two bays have 2000mm overhead clearance into the section of the car park where they are located. The bays are 2500mm and 2250mm wide.

All bays are well signed and there is easy to identify directional signage to the lift. The door into the lift foyer is 760mm wide, has a circular door knob, is heavy to open and slow to close. There is sufficient space around the door for wheelchairs of all sizes.

Pick up / set down bay: There is a covered drop area in the entrance driveway, in front of the main entrance, off Hill Street.

External access: Level access from the pavement and drop off bay into the hotel foyer, suitable to accommodate all wheelchair sizes.

Main entrance: Level access through wide, glazed, automatic sliding doors.

Foyer: The foyer is tiled and level throughout with a ramp leading to the Senses Cafe and public accessible toilet. There is ample circulation space for wheelchairs of all sizes to move through the foyer.

Lounge seating is provided in the foyer. The seats are firm with armrests and a seat height of 350mm.

Reception: Counter is at standing height. Portage is available to the rooms.

Telephone: Public telephone is close to the front entrance and is high wall mounted.

Business Centre / Internet access: Computers are provided in the Lobby Bar off the reception. There is 660mm knee clearance under the desks and moveable swivel office chairs are provided. Internet access is available in all rooms.

Signage: There is minimal directional signage. Staff assist as required.

Information: Printed information produced by the hotel is in good colour contrast and an easy to read font.

Accessible public toilet:

Location: A unisex accessible toilet is located on upper level ground floor and is available for day guests to the conference and function rooms on the mezzanine floor. There is a ramp leading from the foyer to the upper ground level. The ramp is 1200mm wide, 3 metres long and has a gradient of 1:9. There is a wide corridor leading directly to the accessible toilet.

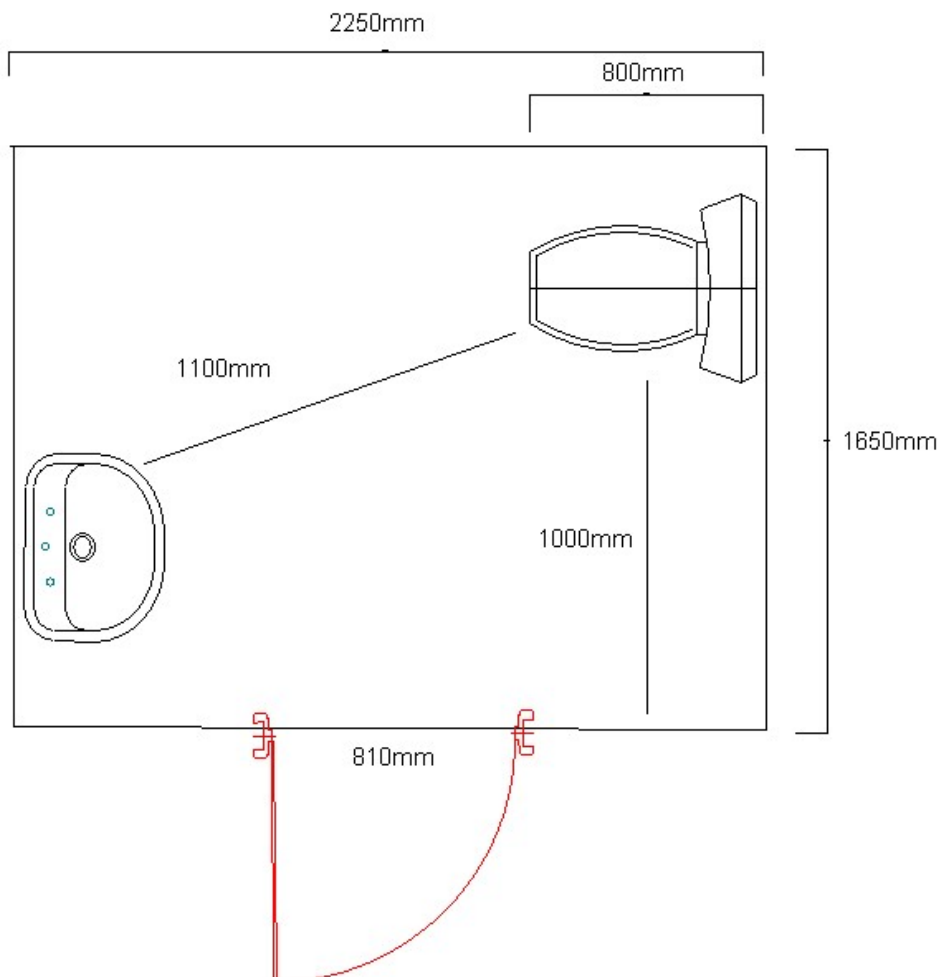
Signage: There is no directional signage to the accessible toilets.

Door: 810mm wide, light to operate and slow to close

D style handle with large snib.

Pan height: 470mm.

Basin height: 740mm.



Lift: A bank of three lifts provide access to hotel rooms. Two lifts provide access to the basement parking.

All three lifts are 1480mm x 1800mm, with a clear open door width of 900mm. Direction of travel information is displayed both externally and internally, and there is a tonal announcement outside the lift. External buttons are at 1200mm high and internal buttons are up to 1600mm high.

Accessible rooms: There is one non smoking accessible room on level twelve. The accessible room has a door to an adjoining room.

Emergency: There are audible alarms and sprinklers in the room. Emergency egress maps are located behind the door at standing height. The emergency egress stairs are off the corridor close the accessible room entrance and they have a standard sized landing.

Corridors to rooms: Corridors are wide, accommodating all wheelchair sizes.

Accessible rooms:

Door: Door width is 740mm. The entrance swing door is light / medium to open and slow to close, with a lever handle and a large locking snib. Access into the room is suitable for smaller wheelchairs only due to restricted space around the entry door (obstructed by an external wall and narrow internal corridor – 840mm).

There is a peep hole set at standing height in the door. Access into the room is via a key card.

Tea and coffee: Facilities are at sitting height and are located in the internal corridor. Access suitable for a smaller wheelchair user only and a side approach would be required.

Lounge: Lounge seating is located in the bedroom, near the bed. Chairs with armrests and a seat height of 450mm are provided.

Bed: A queen bed in the room is on castors, it is 460mm high and there is no available space under the bed to accommodate a mobile hoist. The bed is firm.



Bathroom:

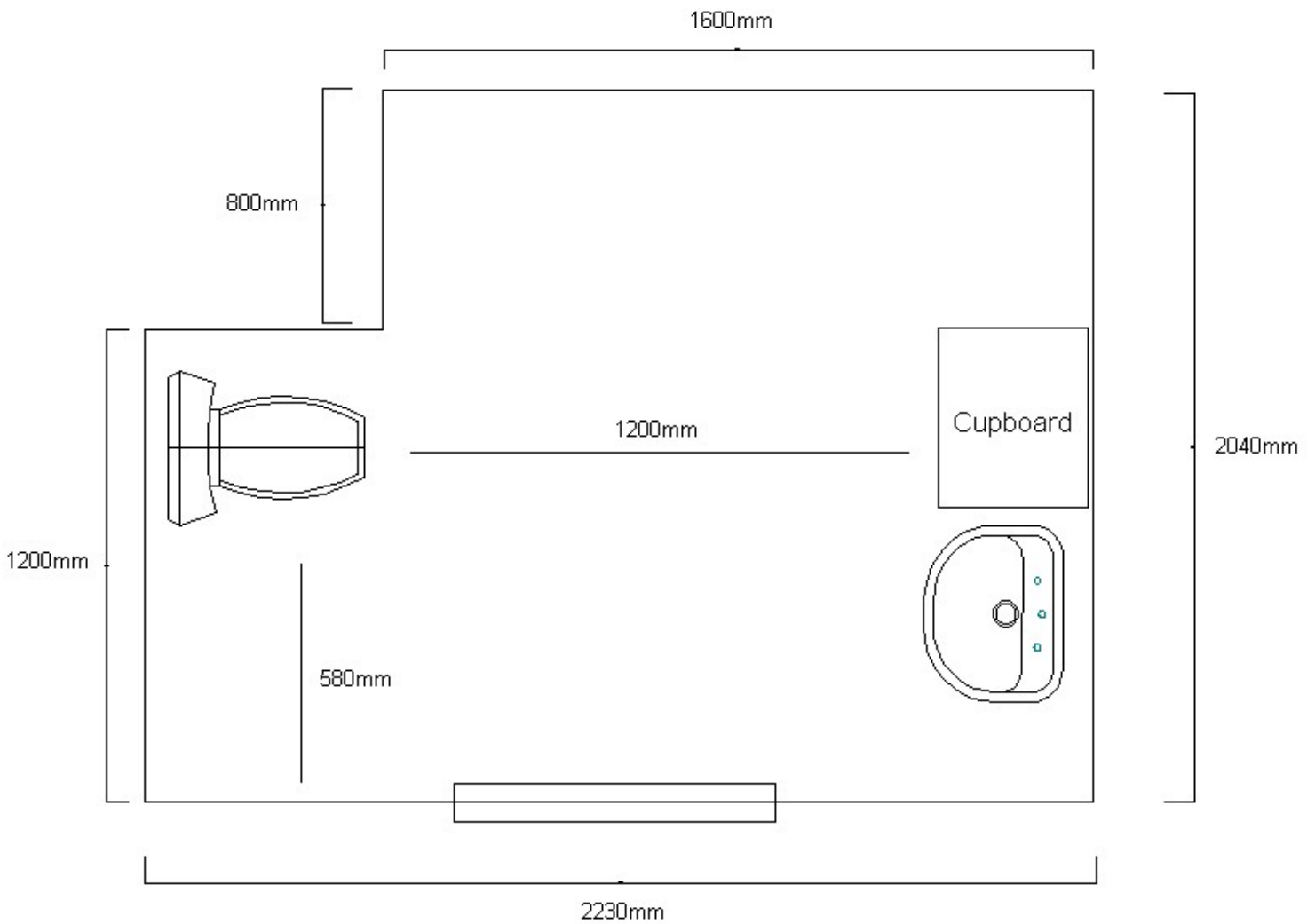
Door: 760mm wide sliding door of the 870mm entrance corridor.

Pan height: 470mm

Basin height: 780mm

Shower: Hand held shower and small wall mounted fold down seat.

Lighting: Rocker switch at standing height.

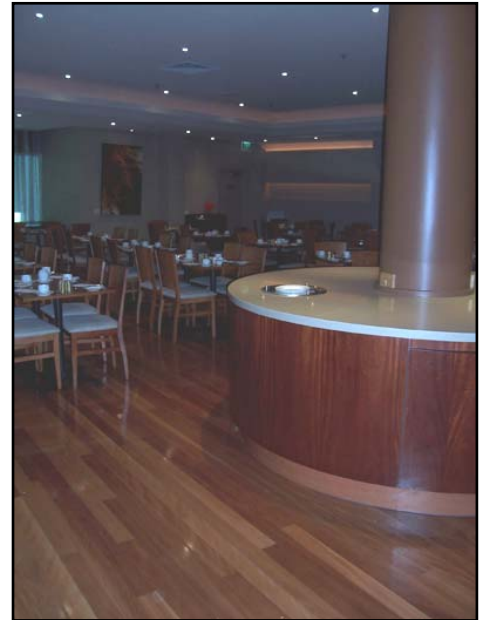


Room facilities:

- TV with remote control
- Volume control telephones
- Lowered light switches next to the bed
- Wall mounted air conditioning at standing height.

Senses Buffet Restaurant:

The Senses Buffet Restaurant is used for the buffet breakfast. It is located on the upper ground level and can be accessed from the foyer via the ramp. The ramp is 1200mm wide, 3 metres long and has a gradient of 1:9. There is direct, wide access into the restaurant that has wooden floors with sufficient circulation space to accommodate wheelchairs of all sizes. The restaurant has a buffet style breakfast with self serve counters that are 900mm high. Side approach is required. 760mm high tables are moveable and chairs are 450mm high without armrests.



Gym and Pool:

Location: Level 12 and accessed by the lifts. There is no accessible toilet or change room available.

Door: 750mm wide and has a high lever handle (1630mm) (in order to comply with safety requirements).

There is direct access into the gym which has standard equipment, including a set of free weights.

Pool and sauna: Access to the pool and sauna is via a spiral staircase only.

Guest Laundry: Located in the upper level basement car park opposite the lift. The entrance door is 790mm wide with a key card reader at sitting height. Access into and through the laundry is suitable for all styles of wheelchairs. There are two top loading washing machines and two front loading, floor mounted, driers. The room has couches and a television.

Information prepared for the City of Perth, February 2007.

Care has been taken to ensure the accuracy of this information however no guarantee is given that the facility is fully accessible.

Please advise the City of Perth of any access changes since publication.

This Report Template has been designed for use in the 'You're Welcome; WA Access Initiative' project only. It is not intended for any other purpose.

© Disability Services Commission 2005