

## **Perth City YHA (Youth Hostel Association)**

### **Summary:**

- Two spacious accessible bedrooms with adjacent en-suite bathroom.
- Separate, dedicated, public accessible toilet and accessible toilet and shower adjacent the pool.
- Lift access to all floors.

**Name:** Perth City YHA

**Location:** 300 Wellington Street Perth

**Rating:** Backpacker accommodation

**Telephone:** 08 9287 3301

**Web:** [www.yha.com.au](http://www.yha.com.au)

**Accessible parking bay onsite:** Yes

**Drop off available:** Yes

### **Closest accessible public transport:**

- Perth Train Station
- Yellow Cat bus stop 25, Wellington Street

**Accessible public toilet onsite:** Yes

**Accessible parking:** One accessible parking bay is located next to the building. It is 3360mm wide with blue line markings.

**Pick up / set down bay:** Vehicle drop off is at the front of the building, accessed by travelling east along Wellington Street. Drivers are required to mount the kerb and park next to the building on the east side past the main front doors.



**External access:** Level access from the pedestrian pavement through a 930mm wide door. There is a small entry foyer 1600mm deep, suitable to accommodate wheelchairs of all sizes.

There is key card entry after hours, set at sitting height.

**Foyer:** Wood floor, level throughout. Ample circulation space for all wheelchair sizes.

A sofa chair is provided in the foyer.

**Reception:** Counter is at sitting height.



**Telephone:** Two telephones are provided past the reception foyer, at standing height. A third telephone is planned for installation in 2007. This will be installed at sitting height. Telephones have push button controls and volume control.

**Internet access:** Computers are provided on tables 710mm high with 650mm high knee access. Chairs without armrests, with a seat height of 480mm are provided. Access into the TV room is through an 840mm wide door.

**Signage:** All signage is clear, easy to read and in good colour contrast. There is directional signage to all essential services.

**Information:** There is a variety of tourist information located throughout the hostel – at a variety of heights.

**Accessible public toilet:**

**Location:** An accessible toilet is located adjacent the accessible bedrooms on Level 1.

**Signage:** Access symbol on the door.

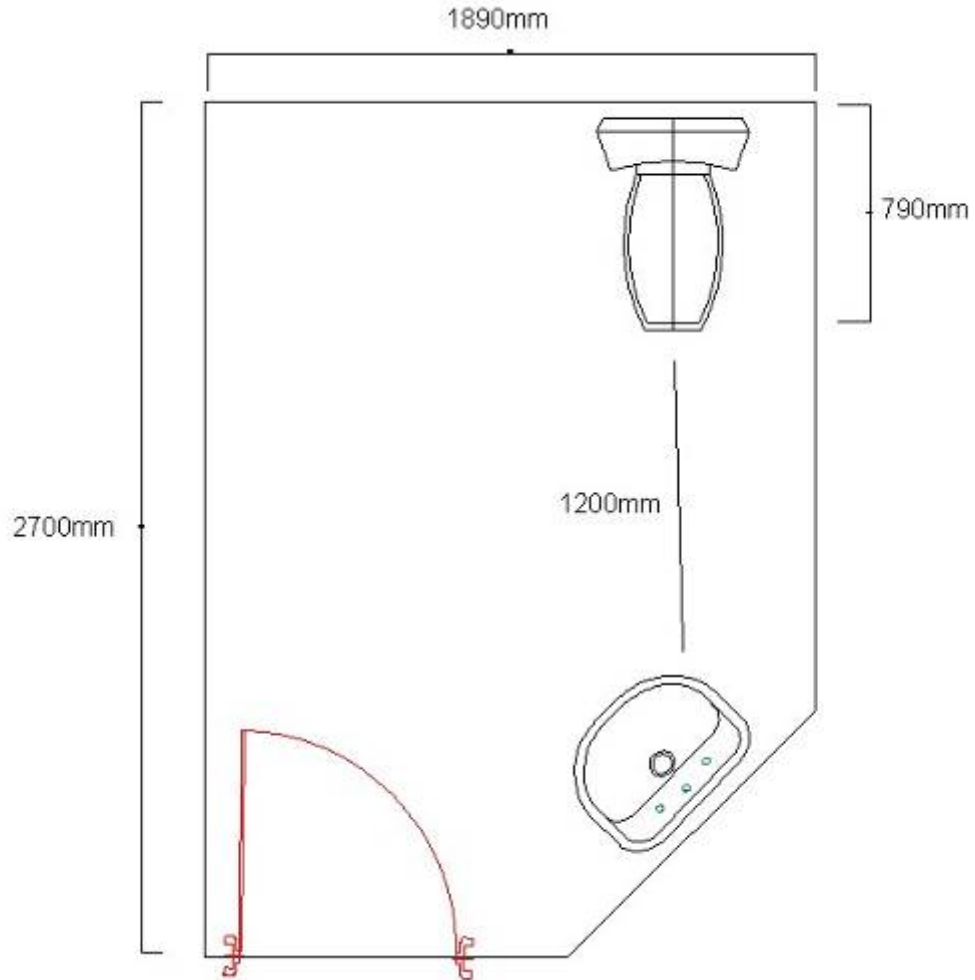
**Door:** 820mm wide, no closer, lever handle with a large snib. Entry is via key card – restricting access to those requiring accessible facilities only.

**Pan height:** 450mm

**Basin height:** 800mm

**Lighting:** Lowered switch in cubicle.





**Lift:** The lift provides access to all floors.

The lift is 1100mm wide and 2280mm wide, with a clear open door width of 900mm. Direction of travel information is displayed both externally and internally. All control buttons are no higher than 1240mm, have good colour contrast and illuminate when pressed.

**Accessible rooms:** There are two accessible rooms, one twin and one double. Both are located on Level 1 and both have accessible en-suite facilities. The rooms and their bathrooms are a mirror image of each other. All rooms are non-smoking.

**Emergency:** There are audible emergency alarms in the bedrooms. There is an open style staircase located near the accessible rooms. The facility has procedures in place to assist guests with a mobility disability in the event of an emergency.

**Corridors to rooms:** Corridors are wide, accommodating all wheelchair sizes.

**Accessible rooms:**

Door: Door width is 830mm. The entrance swing door is a medium weight to open and fast to close, with a lever handle. Access into the room is suitable for wheelchairs of all sizes.

Access into the room is via a key card, which also activates the lights. The light switch is located at sitting height.

Bed: A double or twin bed in the room is on castors. There is a series of hooks, at standing height, for hanging clothes. Rooms have remote controlled air conditioning.



Alternative rooms: Management report that mobility aid users can be accommodated in other rooms. The Family Room, which comprised a double bed and a bunk, has a door width of 770mm.

Bathroom:

Door: 830mm wide swing door that is light to open (no door closer), with a lever door handle and small locking snib.

Pan height: 460mm

Basin height: 815mm

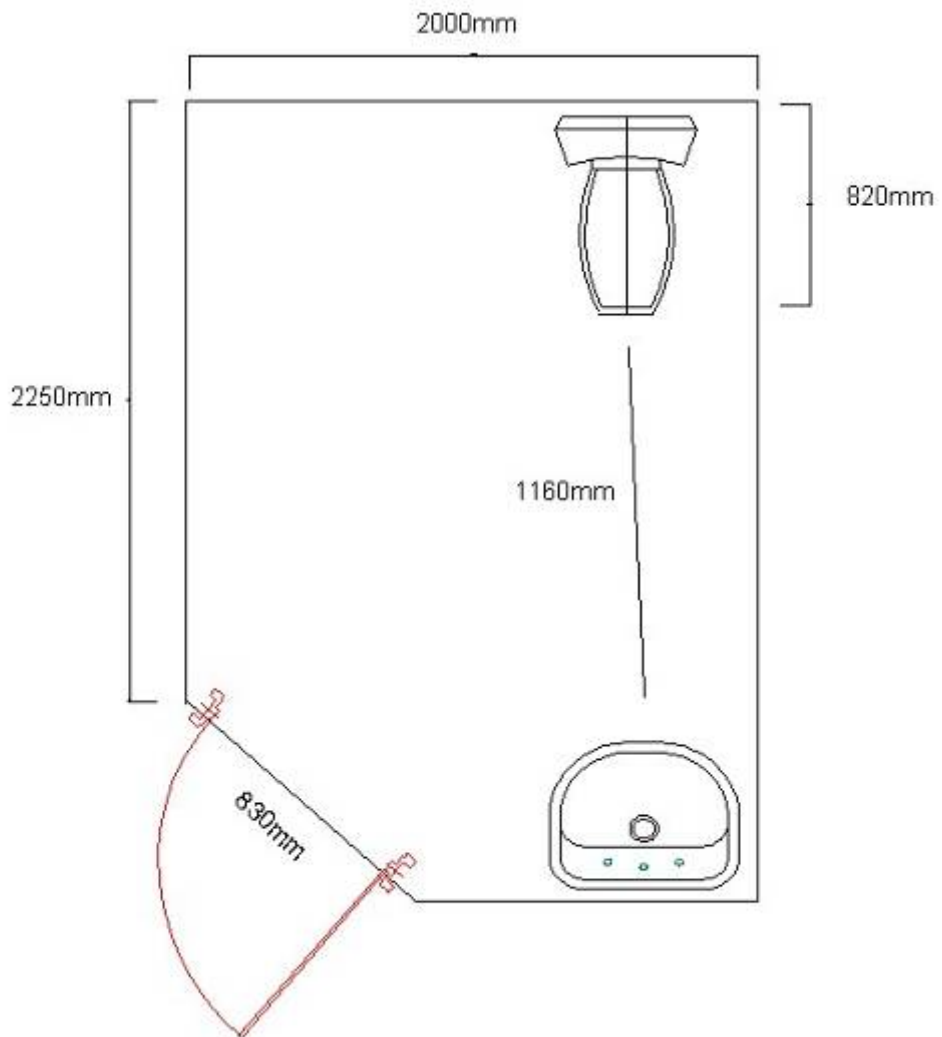
Shower: Hand held shower.

Facilities: Two height adjustable shower chairs are available, both with armrests and one with and one without a backrest.

Emergency call buttons: Nil.



Mirror image photo



**Pool:**

Location: Ground level. Access via lift.

Door: 770mm wide with a lever handle and key card access. The door is heavy to open.

Gate: 990mm wide gate with a latch at very high standing height (1520mm) (in order to comply with safety regulations).

Style: The pool is below ground with step entry, no handrails.



### Poolside accessible public toilet:

Location: An accessible toilet is located adjacent the pool area.

Signage: Access symbol on the door.

Door: 830mm wide, no closer, lever handle with a small snib. Entry is via key card – restricting access to those requiring accessible facilities only.

Pan height: 460mm

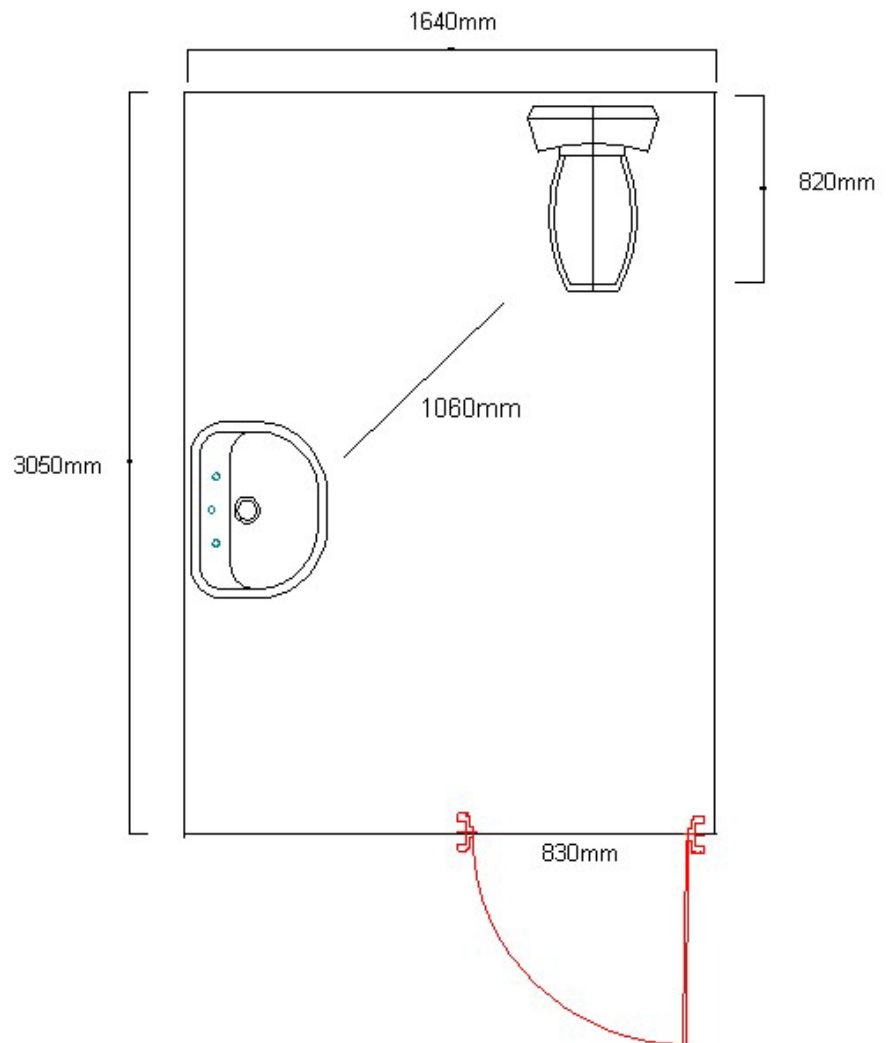
Basin height: 790mm

Lighting: Lowered switch in cubicle.

### Poolside outdoor shower:

An outdoor shower is provided.

Level access, with hand held shower hose on a sliding grab rail.



### Guest Laundry:

Location: Lower ground level with access via the lift.

Door: 770mm wide manual, swing out door with D handle that is heavy to open.

Internal: ample space to accommodate wheelchairs of all sizes.

Facilities: Top loading washers and front loading driers, with wall mounted ironing boards.

### Balcony:

There are smoking and non smoking balconies located off the communal area. Access onto the balconies is over a door threshold and a 60mm step down.

### **TV Lounge:**

The TV lounge has sofa chairs and single chairs with armrests. Access into the TV room is through an 840mm wide door.



### **Communal kitchen:**

A communal kitchen is provided. There is a wide gaps into each of the four 'kitchen cubicles' and there is space to accommodate wheelchairs of all sizes.

The kitchen is a commercial style with open shelves under all work benches. Work bench is 885mm high with a reach of 710mm to the taps. The gas stove top is 885mm high with a reach of 120mm to the controls.

There are pigeon holes for storage of dry goods, at sitting and standing heights and the upright fridges also have access to goods at sitting and standing heights.



The dining area has long bench style tables and single seats without arms, with a seat height of 480mm. The tables are 765mm high with 650mm knee clearance.

**Information prepared for the City of Perth, February 2007.**

**Care has been taken to ensure the accuracy of this information however no guarantee is given that the facility is fully accessible.**

**Please advise the City of Perth of any access changes since publication.**

This Report Template has been designed for use in the 'You're Welcome; WA Access Initiative' project only. It is not intended for any other purpose.

© Disability Services Commission 2005