

Sullivans Hotel Perth

Summary:

- Two rooms are accessible, one is designated for smokers. All have audible emergency alarms.
- Lift access to all floors.

Name: Sullivans Hotel Perth

Location: 166 Mounts Bay Road, Perth

Rating: 3½ star

Telephone: 08 9321 8022

Web: www.sullivans.com.au

Accessible parking bay onsite: No.

Drop off available: Yes.

Closest accessible public transport:

- Blue CAT, stop 20, Mounts Bay Road

Accessible public toilet onsite: No.

Accessible parking: Staff report wheelchair users usually park in the standard parking bays, located at the rear of the Sullivans Hotel.

Pick up / set down bay: Vehicle drop off is at the circular driveway in front of the hotel off Mounts Bay Road.

External access: Steps are situated at the front entrance. There is level access at the rear entry.

Main entrance: Level access through a rear 810mm swing door that is fast to close with an external door bell located at standing height.

Access through this rear door and corridor may be restricted to small wheelchairs only as the rear door opens inwards to a corridor of 1010mm and there is a change of direction required to enter the hotel through a 740mm wide door. Both doorways have restricted space on the handle side.

Foyer: Carpet, level throughout. Ample circulation space for all wheelchair sizes.

A lounge seat which is soft and has a seat height of 360mm is provided within the foyer. There are two standard chairs with arms also provided.

Reception: Counter is at high standing height.

Telephone: No public telephone in foyer.

Business Centre / Internet access: A computer is provided on a desk next to the reception counter.

Signage: There is limited directional signage. Staff assist as required.

Lift: A single entry lift providing access to all floors.

The lift has a width of 1400mm and a depth of 1440mm with a clear open door width of 900mm. Direction of travel information is displayed both externally and internally. The internal buttons are up to 1050mm and the external up to 970mm. The internal and external control buttons illuminate when pressed.

Accessible rooms: There are two accessible rooms, one on the first floor and one on the second. They are both twin rooms and have the same layout. Level one is non-smoking and level two is available for smokers.

Emergency: There are audible alarms in all rooms. Emergency egress maps are located behind the room doors at sitting height.

The fire stairs have a landing of standard size.

Corridors to rooms: Access may be restricted to small to medium sized wheelchairs due to a change of direction when entering the room and restricted space around the door. Corridors are carpeted.

Accessible rooms:

Door: Door width is 745mm. The entrance swing door with no closer and a knob style handle located at sitting height. Access into the room is suitable for a smaller to medium sized wheelchairs only due to restricted space around the entry door and internal corridor width of 990mm.

Tea and coffee: Facilities are at sitting height and are located on the work desk (710mm high with 675mm knee clearance) next to the wardrobe. Access suitable for a smaller wheelchair user only and a side approach would be required.

Lounge: No lounge seating is located in the room. A standard style chair (440mm high) and a stool with no backrest are located at the desks.

Bed: Two single beds in the room are 510mm high. The beds are firm and there is 900mm clearance at one side of one bed. There is 115mm available space under the bed to accommodate a mobile hoist. There is a 580mm clearance at the bed end.



Bathroom:

Door: 755mm wide swing door that is light to open. The door has a circular door knob with a small snib and no door closer. There is a towel rail behind the door obstructing the complete opening of the door.

Pan height: 420mm high.

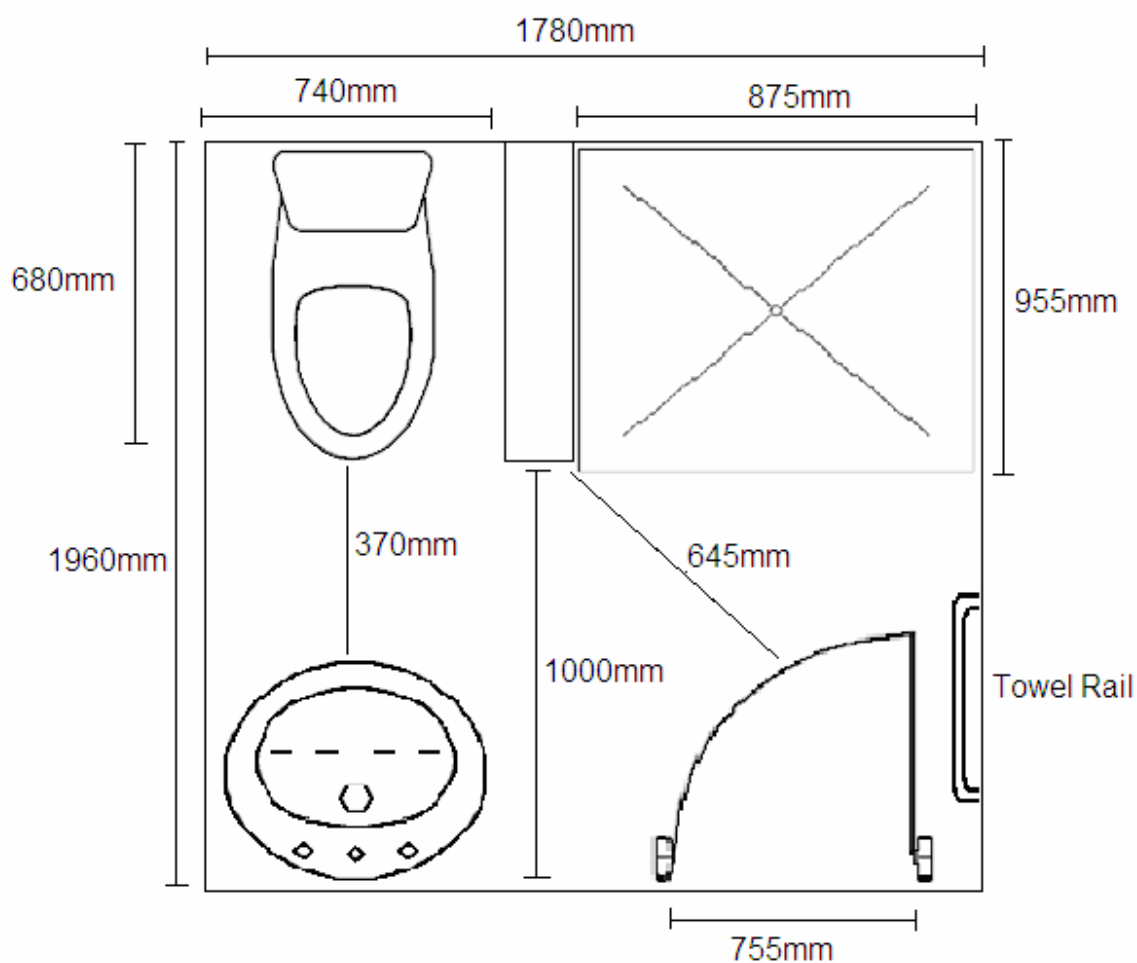
Basin height: 900mm.

Shower: Three sided shower with a curtain and a hand held shower hose. No wall mounted bench provided. A plastic chair is available for use from reception to use within the shower.

Emergency call buttons: Nil.

A hair drier is wall mounted at a standing height.

Lighting: Switch in bathroom at standing height.



Note: As the towel rail is located behind the door, access into the shower recess is restricted to 645mm.

Room facilities:

- Remote control TV
- Air conditioner at a lowered height
- Light switch at bed head

The Café:

The Café style eatery is available all day with breakfast available from 6:30am – 10am and dinner from 6pm – 9pm. The rest of the day it is open for café style food. It is located on the ground floor through a wide opening off the reception foyer.

There is circulation space within the room for a larger wheelchair. Tables are moveable and have 590mm between each of the corner legs. A 650mm knee clearance is provided underneath the table. Chairs are 450mm high, movable and have no armrests.

A bar is located near the lift. It is at high standing height and there is bench style seating.

The menu in the bar and cafe area is in good colour contrast and an easy to read font. The bar and café areas have natural lighting.

Pool:

Location: Located on level one.

Door: A door (960mm) opens into the stairwell that has a descending ramp, gradient approximately 1:4, leading directly to the face of the door. This door opens directly onto the pool deck and laundry area. The door is 1000mm wide with a very high standing door knob. Access to the pool may not suit wheelchair or wheeled mobility aid users due to the ramp gradient and no landing at the base before exiting through the door.

Style: The pool is below ground and access into the pool is via descending steps. There is no hand rail.



Guest Laundry: Located on level one, adjacent the pool.

The laundry is accessed through a door off the pool deck, 720mm wide. A small area at the end of a short corridor (880mm) contains a top loading washing machine and a front loading drier. No payment required. The laundry has limited circulation space and there is minimal space around the internal door. Access into the laundry may not suit wheelchair users.

Information prepared for the City of Perth, February 2007.

Care has been taken to ensure the accuracy of this information however no guarantee is given that the facility is fully accessible.

Please advise the City of Perth of any access changes since publication.

This Report Template has been designed for use in the 'You're Welcome; WA Access Initiative' project only. It is not intended for any other purpose.

© Disability Services Commission 2005