

The Melbourne

Summary:

- An older style hotel.
- One accessible room on level one.
- One unisex accessible public toilet close to the Café and restaurant.

Name: The Melbourne

Location: Corner Hay and Milligan Streets, Perth.

Rating: 4 star.

Telephone: 08 9320 3333

Web: <http://www.melbournehotel.com.au>

Accessible parking bay onsite: No.

Drop off available: No.

Closest accessible public transport:

- Perth Train Station
- Red CAT stop 19, Hay Street
- Red CAT stop 28, Murray Street

Accessible public toilet onsite: Yes

Accessible parking: Valet parking is available at a cost of \$24.00 per day.

Pick up / set down bay: There is standard 10 minute meter parking on Milligan Street, directly outside the hotel. There is no kerb ramp up to the footpath; however there is driveway access at the end of the hotel.

External access: The main entrance off Milligan Street has a 120mm step, entering directly off the footpath. A portable ramp is available and when in place it has a gradient of 1:10. The reception is adjacent to the glazed entrance door and the staff generally have good vision to the outside pavement.

Main entrance: 850mm wide manual swing door with a D style handle. There is an external bell, set 1440mm high, to be used if the main door is locked at night.

Foyer: Tiled throughout with ample circulation space for all wheelchair sizes.

Seating is provided in the foyer. The seats are firm with a seat height of 450mm and armrests.

Reception: Counter is at standing height. Portage is available to the rooms.

Internet access: A dial up connection is available in all rooms.

Signage: Most signage is heritage style. Some informative signs are black on white with large easy to read font. Staff are available to assist.

Information: Printed information produced by the hotel is in good colour contrast and an easy to read font.

Accessible public toilet:

Location: A unisex public accessible toilet is located on the ground floor off a wide corridor connecting the reception and lifts to the M Cafe.

Signage: There is no directional signage to the accessible toilets. The toilet is identified with the International Symbol of Access

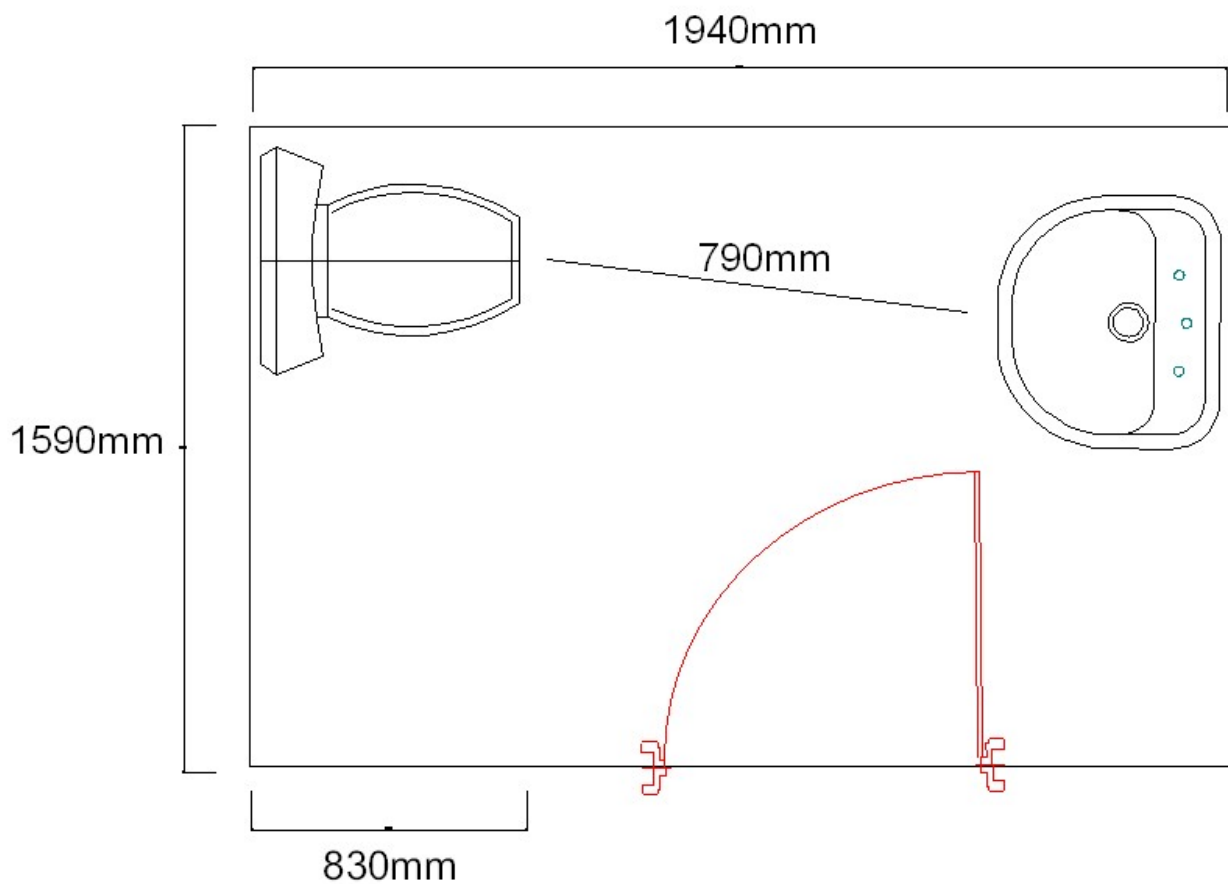
Door: 770mm wide manual door that is heavy to open and slow to close.

D style handle with small snib.

Pan height: 450mm.

Basin height: 780mm.

Lighting: Lights are on at all times.



Lift: One older style lift provides access to all floors.

The lift is 1330mm x 1340mm; with a clear open door width of 730mm. Direction of travel information is displayed internally. The external button is heritage style on a brass plate set at 1130mm high. Internal buttons are within a range up to 1440mm high.

Accessible room: The accessible room is on level 1 and is designated as non smoking.

Emergency: There is an audible alarm in the room and the emergency egress map is at standing height. The fire stairs are at the end of a long corridor and have a standard sized landing.

Corridors to rooms: The corridor between the lift and the room is 1020mm wide at the narrowest point.

Accessible rooms:

Door: Door width is 760mm. There is no closer and the door has a knob style handle. Access into the room is suitable for all wheelchairs.

The peep hole in the door is set at sitting height. Access into the room is via a standard key and the lights are operated by a key card.

Tea and coffee: Facilities are stored in the cupboard at floor height. The cupboard is at sitting height.

Lounge: There is no lounge seating available within the room. There is desk 740mm high with 630mm clearance underneath.

Bed: A queen bed in the room is on castors, it is 480mm high and there is 125mm available space under the bed to accommodate a mobile hoist. The bed is soft. The wardrobe is located next to the bed with 670mm space between the two. Hanging space is at standing height with low shelves within the wardrobe.



Bathroom:

Door: 770mm wide swing door with no closer. The door has a circular door knob with twist button lock. There is also a small ramp up into the bathroom. There is sufficient space for wheelchairs of all styles to move into the bathroom.

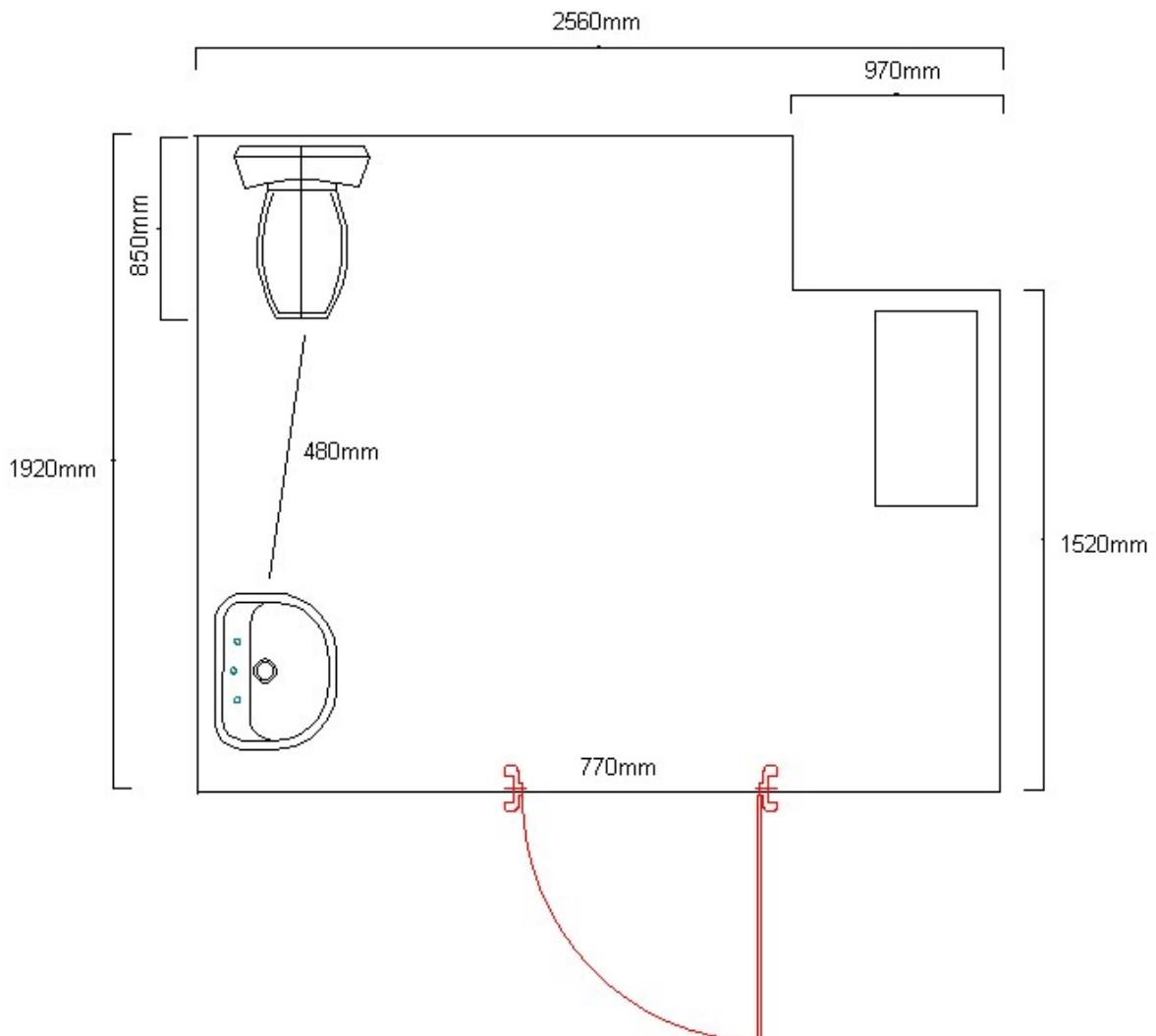
Pan height: 470mm.

Basin height: 780mm.

Shower: Hand held shower and wall mounted fold down seat.

Coat hook: Located behind the door at sitting height.

Hair dryer: Wall mounted at sitting height next to the basin



Room facilities:

- TV which with remote control
- Lowered light switches
- Remote controlled air conditioning

Gym: Guests can utilise the QV1 gym by arrangement.

Guest Laundry: A laundry service is available.

M Cafe: Breakfast is available off the menu in the M Café, located at the end of a wide corridor from the lift and main reception. There is access directly off Hay Street up a 240mm step and through a 970mm wide door. The hotel portable ramp can be used to gain access off Hay Street.

There is sufficient space for wheelchairs of all sizes to move through the café. Menus are easy to read black lettering on a white background. Chairs are moveable and tables have central pedestals.

Information prepared for the City of Perth, March 2007.

**Care has been taken to ensure the accuracy of this information however no guarantee is given that the facility is fully accessible.
Please advise the City of Perth of any access changes since publication.**

This Report Template has been designed for use in the 'You're Welcome; WA Access Initiative' project only. It is not intended for any other purpose.

© Disability Services Commission 2005