

Travelodge Perth

Summary:

- A spacious unisex accessible toilet is located on the ground floor, off the reception foyer.
- One spacious accessible room.
- Lift access to all floors.

Name: Travelodge Perth

Location: 417 Hay Street Perth

Rating: 4 star

Telephone: 08 9238 1888

Web: <http://www.xxxhotel.com.au>

Accessible parking bay onsite: Yes

Drop off available: Yes

Closest accessible public transport:

- Red CAT stop 12, Hay Street

Accessible public toilet onsite: Yes

Accessible parking:

- Standard parking bay located in the basement level car park
- Very wide
- 2470mm overhead clearance
- 2100mm overhead clearance at entry to hotel car park

Pick up / set down bay:

Standard ¼P parking available along Hay Street. There is no kerb ramp access up to pavement, access available via vehicular driveway.

There is one standard parking bay in the Travelodge driveway, alongside the hotel. This bay is on a slope with a gradient averaging 1:11.

External access: Access from the pavement or from the parking bay on the hotel driveway requires the pedestrian to negotiate the driveway, with a gradient of 1:11 and a pedestrian ramp that is 2600mm long with a gradient of 1:8.

Main entrance: Level access through an 850mm wide swing door that is heavy to open and fast to close.

Foyer: Tiled floor, level throughout. Ample circulation space for all wheelchair sizes.

Lounge seating is provided in the foyer. The seats are firm with a seat height of 340mm. No armrests.

Reception: Counter is at a high standing height.

Business Centre: The Business Centre is located off the reception foyer; entry is through an 830mm wide swing door with a lever handle. Card swipe entry is planned to be installed during 2007.

Two computers are provided on a wall mounted desk. The computers are coin operated with controls at sitting height. The 765mm high desk has 620mm high knee access. Moveable seats without armrests are provided.

Signage: A variety of signage is used throughout the hotel. The main directory board has black lettering on frosted Perspex. Signage on the Café and Business Centre doors are white on glass and other miscellaneous signage is black on silver. Staff are available to assist at all times.

Information: Printed information produced by the hotel is in good colour contrast and an easy to read font. A variety of tourist brochures are available at the hotel. These are displayed at a variety of heights.

Accessible public toilet:

Location: An accessible toilet is located on the ground level, off the reception foyer, opposite the lifts.

Signage: There is an access symbol on the toilet door and there is direction signage from the hotel foyer.

External access: Toilet is located off a wide corridor, through a 900mm wide gap.

Suitable to accommodate wheelchairs of all sizes.

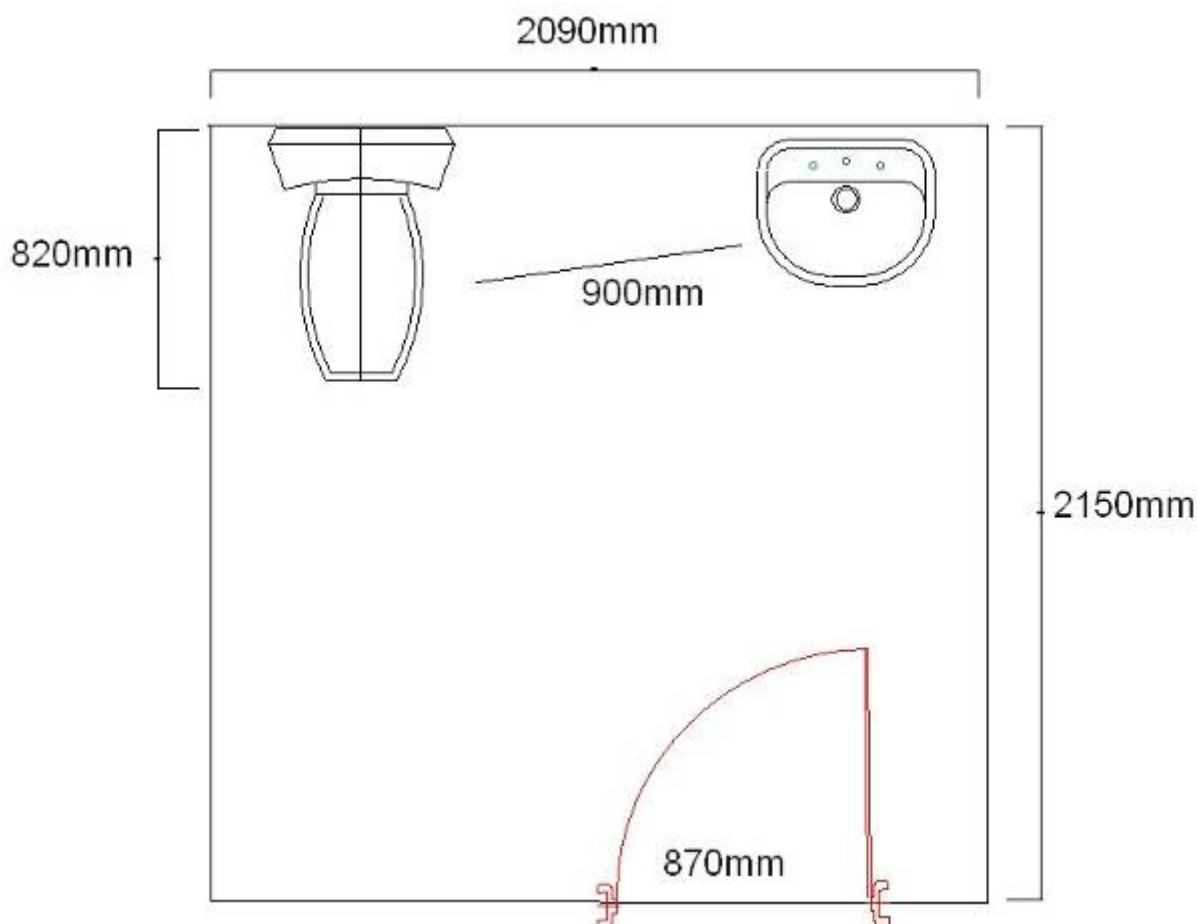
Door: 870mm wide that is heavy to open and fast to close.

D style handle with large snib.

Pan height: 420mm

Basin height: 840mm

Lighting: Low switch in cubicle.



Lift: A bank of two lifts provide access to all floors.

The lifts are 1660mm wide and 1200mm deep, with a clear open door width of 1060mm. Direction of travel information is displayed both externally and internally, and there is a tonal announcement of the floor level outside the lift. All buttons are less than 1500mm high and illuminate when pressed.

Accessible rooms: There is one accessible room (Room 705) within the hotel. The room is designated non-smoking.

Emergency: There are audible emergency alarms in the room. Emergency egress maps are located behind the room door at sitting height. The fire stairs have a landing of standard size.

Corridors to rooms: Corridors are carpeted and wide, accommodating all wheelchair sizes.

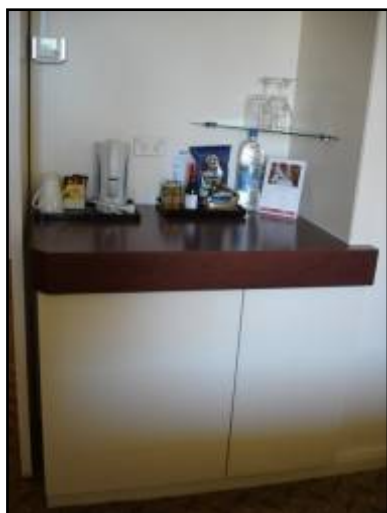
Accessible rooms:

Door: Door width is 770mm. The entrance swing door is heavy to open and fast to close, with a lever handle. Access into the room is suitable for all wheelchair sizes.

There is a peep hole at a standing height. Access into the room is via a key card.

Tea and coffee: Facilities are at sitting height and are located next to the bed. A side approach may be required with 1000mm space between the bed and tea making facilities.

The fridge is located in the spacious lounge area and access would be suitable for all wheelchair sizes.



Lounge: Lounge seating is located in the bedroom, near the bed. The seat is firm with a seat height of 420mm.

Bed: The Queen bed is on castors, it is 600mm high and there is 90mm available space under the bed to accommodate a mobile hoist. The bed is firm.

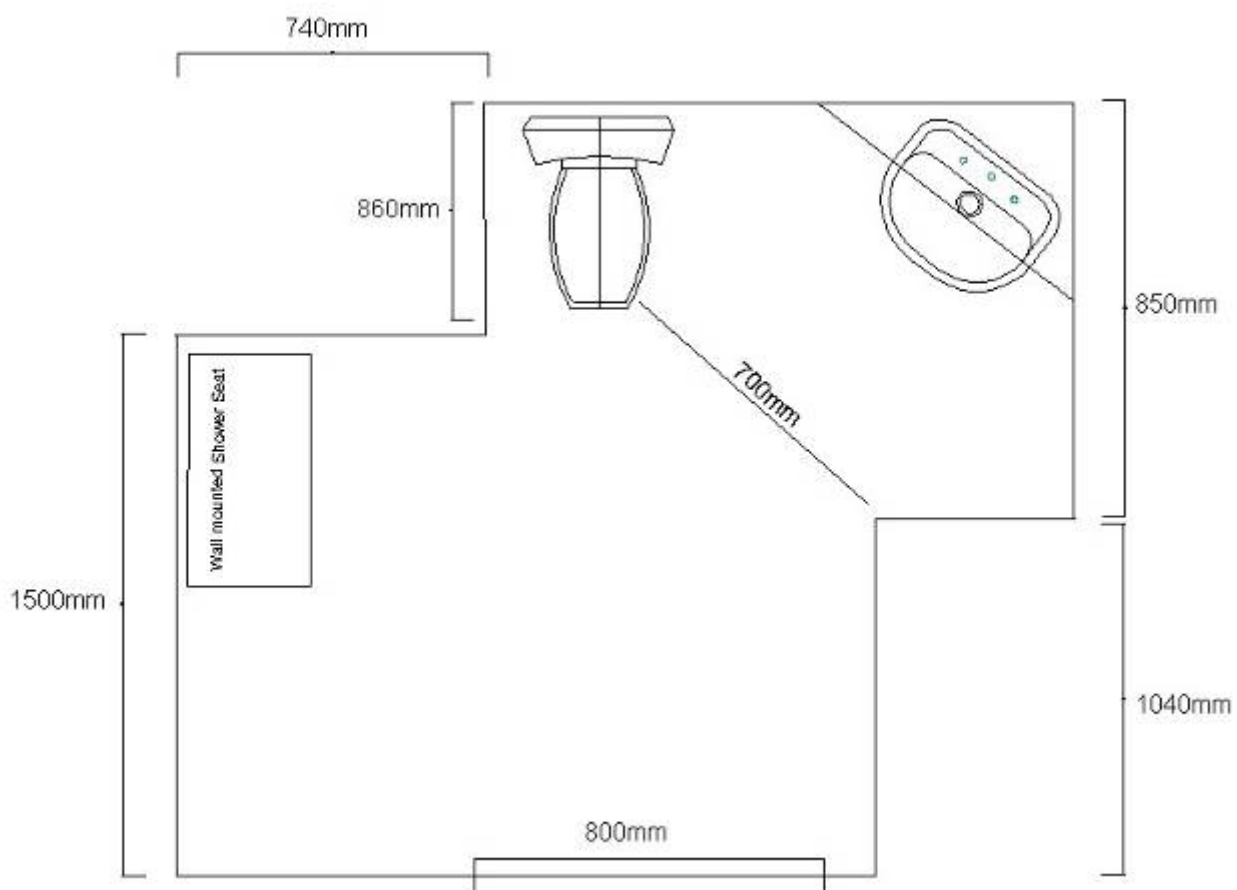
Bathroom:

Door: 800mm wide sliding door that is light to open. Has a recessed door handle, with no locking device.

Pan height: 460mm

Basin height: 820mm

Shower: Hand held shower and wall mounted fold down seat.



Room facilities:

- Remote controlled TV
- Lowered light switches

Armada Bistro and Grill:

The restaurant is used for the buffet breakfast. It is located on the ground floor. Single, plus bi-fold doors open onto an alfresco area. Access into the restaurant is through a swing door, held open at all times, providing 860mm door width.

The restaurant is self serve buffet style with hot and cold self serve counters at sitting height. Some knee clearance is provided. Staff are available to assist at all times. There is circulation space within the room to accommodate wheelchairs of all sizes. Tables are moveable and have a central pedestal. Chairs have armrests.

Gym:

Location: Ground level off the reception foyer, through the Business Centre.

Door: 830mm wide with a lever handle (1500mm).

Style: The gym includes standard gym equipment, including free weights.

Guest Laundry: The path of travel to the laundry is not accessible to wheeled mobility aid users. A laundry service is available.

Information prepared for the City of Perth, March 2007.

Care has been taken to ensure the accuracy of this information however no guarantee is given that the facility is fully accessible.

Please advise the City of Perth of any access changes since publication.

This Report Template has been designed for use in the 'You're Welcome; WA Access Initiative' project only. It is not intended for any other purpose.

© Disability Services Commission 2005