

## **Underground Backpackers**

### **Summary:**

- A well appointed unisex accessible toilet is located on the ground floor, adjacent the communal kitchen.
- A combination of rooms on the ground floor can be configured to meet individual need.
- CAT bus on Aberdeen Street

**Name:** Underground Backpackers

**Location:** 268 Newcastle Street, Northbridge

**Rating:** Backpacker accommodation

**Telephone:** 1800 033 089

**Web:** <http://www.undergroundbackpackers.com.au>

**Accessible parking bay onsite:** No.

**Drop off available:** Yes, street side

### **Closest accessible public transport:**

- Perth Train Station
- Blue CAT bus, stops 10 & 11, Aberdeen Street

**Accessible public toilet onsite:** No

**Accessible parking:** No designated accessible parking available. (A bay with blue line markings was located on Lake Street; this is no longer designated as accessible).

Standard underground car parking is available. It has overhead clearance of 2000mm. A 6 metre length driveway with an approximate 1:5 gradient leads from the underground parking to street level. The footpath to the main entrance of the accommodation is approximately 35 meters in length with a 1:27 gradient.

**Pick up / set down bay:** There is no designated accessible drop off bay. Standard street side parking bays are available.

**Accommodation style:** Accommodation is an old hotel with central staircase and wide corridors. Accessible rooms are located in a rear extension adjacent the pool. Access to these rooms is via an external pathway and ramp.

**External access:** One 120mm step up from the footpath and 60mm lip at the doorway.

**Main entrance:** Wooden double leaf swing doors. Each leaf is 540mm wide. No door closer fitted. Doors are often held open and if not, reception staff will assist. Reception is staffed 24 hours.

**Foyer:** Low pile carpet, level throughout. Ample circulation space for all wheelchair sizes.

Tub style seating is provided in the foyer. The seats have armrests, are soft with a seat height of 400mm.

**Reception:** Counter is at standing height. No better hearing card on display. Staff will assist with luggage if required.

**Telephone:** Public telephone is located in a booth with knee access 850mm wide. The telephone is coin operated with push button controls. Highest operable control is 1350mm.

**Internet access:** Computers are provided on trestle style tables in the foyer / reception area, with knee access of 710mm. Swivel chairs are provided.

**Lockers:** Lockers are provided in the reception area at sitting and standing heights.

**Signage:** There is no directional signage. Staff assist as required.

**Information:** Brochures are displayed on a variety of wall mounted display stands throughout the foyer area.

**Accessible rooms:** There are a variety of room styles. Each can be altered or arranged to suit the needs of the individual. All are non-smoking and located in the wing accessed via the pool area. There are:

- 6 single rooms
- 2 four bed dormitories
- 1 six bed dormitory
- 1 ten bed dormitory.

All dormitories have bunks with the lower bunk being a double bed.

**Corridors to rooms:** There is a 5m long ramp adjacent the pool leading to the accessible rooms. The ramp is constructed of timber decking, is uncovered and has a gradient of 1:14.

Two entry doors provide access to the internal corridor off which the rooms are located. Both doors are 790mm wide. Access into the rooms is suitable for a smaller to medium wheelchairs.

These doors service as the emergency exits for the accessible rooms.

The internal corridor has low pile carpet; the internal corridor is 1180mm wide and provides sufficient space for smaller to medium size wheelchairs to access the rooms.

### **Accessible rooms:**

**Door:** Door width is 770mm. The swing doors are light to open, have no closer with key entry only. Access into the room is suitable for a standard sized wheelchair.

**Bed:** Single rooms have a Queen size bed. Dormitories have lower bunks with a double bed. Beds can be reconfigured by staff to meet the needs of the guest. Staff will also make up the bed, should that be required. Beds are firm and have space under the bed to accommodate a mobile hoist.

### **Room facilities:**

Lowered light switches



### Unisex accessible bathroom

The unisex accessible bathroom is located in the main building (via pool area, bar area, reception and internal corridor). It is spacious and well appointed.

Entrance: Opening off corridor: 880mm

Door: 820mm wide swing door that is heavy to open and fast to close. Has a circular door knob with a large locking snib.

Pan height: 460mm high.

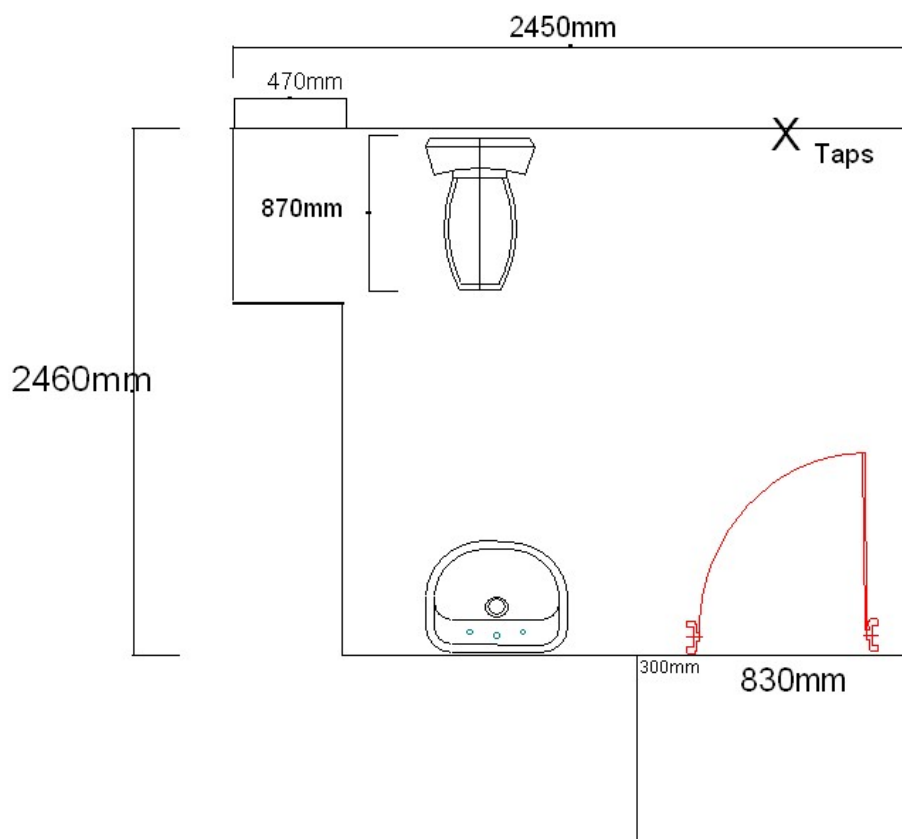
Drop down grab rail on left side of pan.

Basin height: 840mm. Semi recessed.

Shower: Level access. Hand held shower with a fixed wall mounting at 1640mm. Height adjustable shower chair provided. No screen or curtain.

Emergency call button: No.

Lowered light switch.



**Emergency:** There are audible fire alarms and sprinklers fitted throughout.

**Pool:**

Location: Outside bar area.

Door: 860mm wide.

Style: Below ground pool with step entry.

**Guest Laundry:** Located adjacent the accessible rooms. A small wheelchair may gain access to the laundry through the 670mm wide swing door. The laundry has a top loading washing machine and front loading drier. Staff will assist with laundry where a guest is unable to access the laundry.

**Communal kitchen:** A communal kitchen is provided on the ground floor. Entry doors are 870mm and 800mm wide with minimal clearance on the latch side. There is circulation space within the kitchen / dining area for a larger wheelchair.

The kitchen is a commercial style with open shelves under all work benches. Work bench is 940mm and the reach to the taps is 450mm. The gas stove top is 900mm high with a maximum reach of 450mm.

There are pigeon holes for storage of dry goods, at sitting and standing heights.

The dining area has long bench style tables and single seats without arms. The tables are 790mm high with 750mm knee clearance.

**Information prepared for the City of Perth, December 2006.**

**Care has been taken to ensure the accuracy of this information however no guarantee is given that the facility is fully accessible.**

**Please advise the City of Perth of any access changes since publication.**

This Report Template has been designed for use in the 'You're Welcome; WA Access Initiative' project only. It is not intended for any other purpose.

© Disability Services Commission 2005